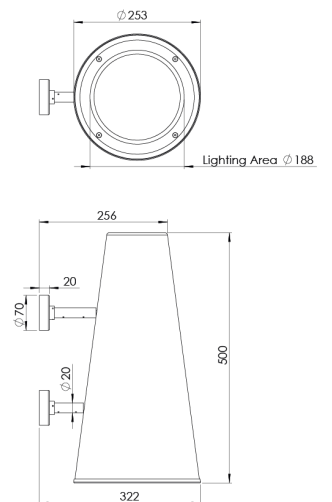




Product Family	Alor
Adjustability	Fixed
Color	White- Black- Gray- RAL
Mounting Type	Surface Mounted
Body	Metal spinning body and die-cast aluminium body
Light Source	MP LED
Color Temperature	2700-3000-4000-5000-6500K
Color Rendering Index	CRI>80,CRI>90
Power	15,5 W
Power Factor	Pf>90
Luminaire Efficiency	86lm/W
Light Beam Angle	110°
Lumen	1333 lm
Operating Voltage	220-240V AC / 50-60 Hz
Light Source Lifetime	50.000 hours Led lifetime
Optic	High efficiency opal difusers
Control Type	On/Off- Dali
Electrical Insulation Class	Class I
Optional Features	Unavailable
Sealing	IP65
Weight	3,6 Kg
Dimensions	Ø253 x 500 mm

DIMENSIONS



Lumen value is given according to 3000K value.

Luminaire is F-marked and suitable for direct mounting on normally flammable surfaces.

All components are provided with 5 year limited guarantee. A qualified electrician must ensure proper installation of the product.