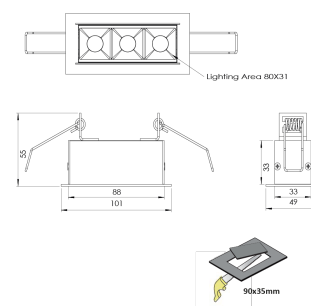




|                                    |   |
|------------------------------------|---|
| <b>Product Family</b>              | Arden   |
| <b>Adjustability</b>               | Fixed   |
| <b>Color</b>                       | White- Black- Gray- RAL   |
| <b>Mounting Type</b>               | Recessed Mounted  |
| <b>Body</b>                        | Extruded aluminium body with electrostatic powder coated  |
| <b>Light Source</b>                | HP LED  |
| <b>Color Temperature</b>           | 2700-3000-4000-5000-6500K   |
| <b>Color Rendering Index</b>       | CRI>80  |
| <b>Power</b>                       | 7 W   |
| <b>Power Factor</b>                | Pf>90   |
| <b>Luminaire Efficiency</b>        | 120lm/W   |
| <b>Light Beam Angle</b>            | 12°,36°,48°,10x35° Elptc.   |
| <b>Lumen</b>                       | 840 lm  |
| <b>Operating Voltage</b>           | 220-240V AC / 50-60 Hz  |
| <b>Light Source Lifetime</b>       | 50.000 hours Led lifetime   |
| <b>Optic</b>                       | High efficiency optic in metallized thermoplastic and built into the innovative anti-glare screen |
| <b>Control Type</b>                | On/Off – Dali   |
| <b>Electrical Insulation Class</b> | Class II  |
| <b>Optional Features</b>           | Emergency kit system can be integrated  |
| <b>Sealing</b>                     | IP20  |
| <b>Weight</b>                      | 0,5 Kg  |
| <b>Dimensions</b>                  | 49 x 101 x 55 mm  |

## DIMENSIONS



Lumen value is given according to 3000K value.

Luminaire is F-marked and suitable for direct mounting on normally flammable surfaces.

All components are provided with 5 year limited guarantee. A qualified electrician must ensure proper installation of the product.