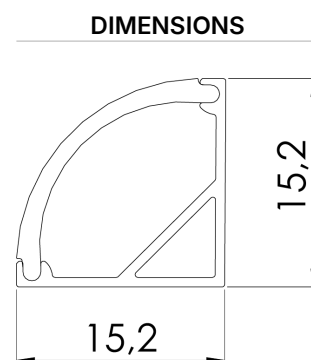


<b>Product Family</b>	Arden
<b>Adjustability</b>	Fixed
<b>Color</b>	MAT Eloksal
<b>Mounting Type</b>	
<b>Body</b>	Anodized aluminium extrusion body
<b>Light Source</b>	MP LED
<b>Color Temperature</b>	2700-3000-4000-5000-6500K
<b>Color Rendering Index</b>	CRI>80
<b>Power</b>	14 W/mt
<b>Power Factor</b>	Pf>90
<b>Luminaire Efficiency</b>	78lm/W
<b>Light Beam Angle</b>	120°
<b>Lumen</b>	1092 lm/mt
<b>Operating Voltage</b>	220-240V AC / 50-60 Hz
<b>Light Source Lifetime</b>	50.000 hours Led lifetime
<b>Optic</b>	High efficiency acrylic diffuser
<b>Control Type</b>	On/Off
<b>Electrical Insulation Class</b>	Class III
<b>Optional Features</b>	Unavailable
<b>Sealing</b>	IP20, IP44
<b>Weight</b>	0,3 Kg
<b>Dimensions</b>	18.5x18.5 mm



Lumen value is given according to 3000K value.

Luminaire is F-marked and suitable for direct mounting on normally flammable surfaces.

All components are provided with 5 year limited guarantee. A qualified electrician must ensure proper installation of the product.