



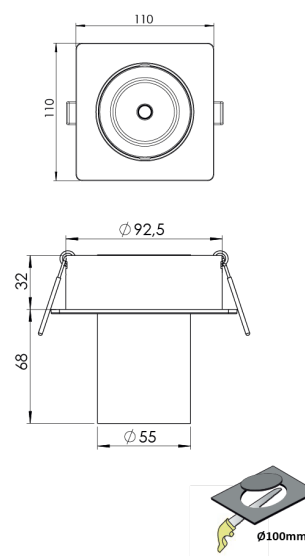
| | |
|-----------------------|--|
| Product Family | Halo |
| Adjustability | Adjustable: 30° & 30° |
| Color | White- Black- Gray- RAL |
| Mounting Type | Adjustable Recessed Mounted |
| Body | Extruded aluminium body with electrostatic powder coated |

| | |
|------------------------------|--|
| Light Source | COB LED |
| Color Temperature | 2700-3000-4000-5000-6500K |
| Color Rendering Index | CRI>80,CRI>90 |
| Power | 9 W |
| Power Factor | Pf>90 |
| Luminaire Efficiency | 103lm/W |
| Light Beam Angle | 15°,24°,36°,60° |
| Lumen | 927 lm |
| Operating Voltage | 220-240V AC / 50-60 Hz |
| Light Source Lifetime | 50.000 hours Led lifetime |
| Optic | High efficiency reflector and PC glass |

| | |
|------------------------------------|--|
| Control Type | On/Off – Dali |
| Electrical Insulation Class | Class II |
| Optional Features | Emergency kit system can be integrated |

| | |
|-------------------|-------------|
| Sealing | IP20 |
| Weight | 0,8 Kg |
| Dimensions | 110 x 100mm |

DIMENSIONS



Lumen value is given according to 4000K value.

Luminaire is F-marked and suitable for direct mounting on normally flammable surfaces.

All components are provided with 5 year limited guarantee. A qualified electrician must ensure proper installation of the product.