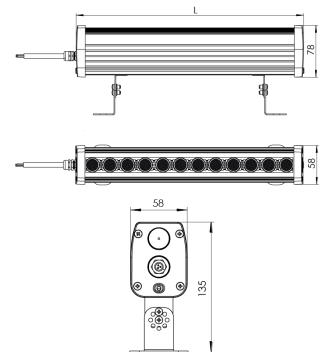


| | |
|------------------------------------|--|
| Product Family | Kivo |
| Adjustability | Adjustable: 90° & 90° |
| Color | MAT Eloksal |
| Mounting Type | Wallwasher |
| Body | Anodized aluminium body and tempered glass |
| Light Source | HP LED |
| Color Temperature | 2700-3000-4000-5000-6500K |
| Color Rendering Index | CRI>80 |
| Power | 15 W |
| Power Factor | Pf>90 |
| Luminaire Efficiency | 120lm/W |
| Light Beam Angle | 10°,25°,40°,60°, |
| Lumen | 1800 lm |
| Operating Voltage | 220-240V AC / 50-60 Hz |
| Light Source Lifetime | 50.000 hours Led lifetime |
| Optic | High efficiency acrylic lens |
| Control Type | On/Off- Dali |
| Electrical Insulation Class | Class I |
| Optional Features | Unavailable |
| Sealing | IP66 |
| Weight | 1,5 Kg |
| Dimensions | 58 x 78 x L : 520 mm |

DIMENSIONS



Lumen value is given according to 3000K value.

Luminaire is F-marked and suitable for direct mounting on normally flammable surfaces.

All components are provided with 5 year limited guarantee. A qualified electrician must ensure proper installation of the product.