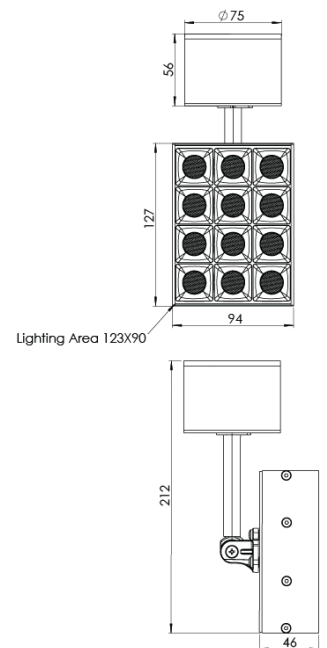




Product Family	Klen
Adjustability	Adjustable: 350°- 90°
Color	White- Black- Gray- RAL
Mounting Type	Adjustable Surface Mounted
Body	Extruded aluminium body with electrostatic powder coated
Light Source	HP LED
Color Temperature	2700-3000-4000-5000-6500K
Color Rendering Index	CRI>80
Power	19 W
Power Factor	Pf>90
Luminaire Efficiency	100lm/W
Light Beam Angle	25°,40°
Lumen	1900 lm
Operating Voltage	220-240V AC / 50-60 Hz
Light Source Lifetime	50.000 hours Led lifetime
Optic	High efficiency optic in metallized thermoplastic and built into the innovative anti-glare screen
Control Type	On/Off
Electrical Insulation Class	Class II
Optional Features	
Sealing	IP20
Weight	1,1 Kg
Dimensions	94 x 127 mm

DIMENSIONS



Lumen value is given according to 3000K value.

Luminaire is F-marked and suitable for direct mounting on normally flammable surfaces.

All components are provided with 5 year limited guarantee. A qualified electrician must ensure proper installation of the product.