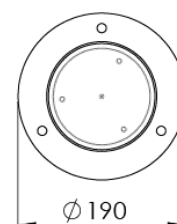
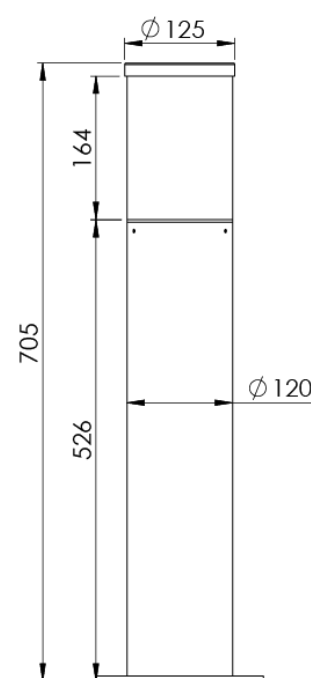




Product Family	Kresta
Adjustability	Fixed
Color	White- Black- Gray- RAL
Mounting Type	
Body	Electrostatic powder coated aluminium body
Light Source	E27 LED LAMP
Color Temperature	4000K
Color Rendering Index	
Power	14 W
Power Factor	Pf>90
Luminaire Efficiency	108lm/W
Light Beam Angle	
Lumen	1500 lm
Operating Voltage	220-240V AC / 50-60 Hz
Light Source Lifetime	50.000 hours Led lifetime
Optic	High efficiency PC
Control Type	On/Off
Electrical Insulation Class	Class I
Optional Features	Unavailable
Sealing	IP65
Weight	2,8 Kg
Dimensions	Ø190 Ø125 x 705 mm

DIMENSIONS



Lumen value is given according to 4000K value.

Luminaire is F-marked and suitable for direct mounting on normally flammable surfaces.

All components are provided with 5 year limited guarantee. A qualified electrician must ensure proper installation of the product.