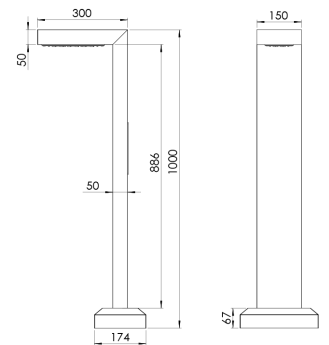




Product Family	Kresta
Adjustability	Fixed
Color	White- Black- Gray- RAL
Mounting Type	
Body	Aluminium body with electrostatic powder coated
Light Source	HP LED
Color Temperature	2700-3000-4000-5000-6500K
Color Rendering Index	CRI>80
Power	14 W
Power Factor	Pf>90
Luminaire Efficiency	110lm/W
Light Beam Angle	30°,60°,90°,157x90°
Lumen	1540 lm
Operating Voltage	220-240V AC / 50-60 Hz
Light Source Lifetime	50.000 hours Led lifetime
Optic	High efficiency optic in thermoplastic and built into the innovative anti-glare lens
Control Type	On/Off
Electrical Insulation Class	Class I
Optional Features	Unavailable
Sealing	IP65
Weight	4,9 Kg
Dimensions	50 x 150 - 300 x 1000 mm

DIMENSIONS



Lumen value is given according to 5000K value.

Luminaire is F-marked and suitable for direct mounting on normally flammable surfaces.

All components are provided with 5 year limited guarantee. A qualified electrician must ensure proper installation of the product.