



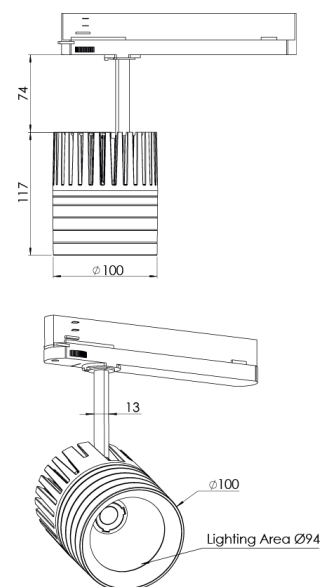
| | |
|-----------------------|--|
| Product Family | Lorne |
| Adjustability | Adjustable: 350° - 90° |
| Color | White- Black- Gray- RAL |
| Mounting Type | Track |
| Body | Die-cast aluminium body with electrostatic powder coated |

| | |
|------------------------------|--|
| Light Source | COB LED |
| Color Temperature | VIVID WHITE AND RED |
| Color Rendering Index | CRI>80 |
| Power | 20 W |
| Power Factor | Pf>90 |
| Luminaire Efficiency | 65 lm/W |
| Light Beam Angle | 15°,24°,40°,60° |
| Lumen | 1300 lm |
| Operating Voltage | 220-240V AC / 50-60 Hz |
| Light Source Lifetime | 50.000 hours Led lifetime |
| Optic | High efficiency reflector and PC glass |

| | |
|------------------------------------|--------------|
| Control Type | On/Off- Dali |
| Electrical Insulation Class | Class II |
| Optional Features | Unavailable |

| | |
|-------------------|---------------|
| Sealing | IP40 |
| Weight | 1,2 Kg |
| Dimensions | Ø100 x 117 mm |

DIMENSIONS



Luminaire is F-marked and suitable for direct mounting on normally flammable surfaces.
All components are provided with 5 year limited guarantee. A qualified electrician must ensure proper installation of the product.