

Product Family	Natt
Adjustability	Fixed
Color	White- Black- Gray- RAL
Mounting Type	Recessed Mounted
Body	Extruded aluminium body with electrostatic powder coated

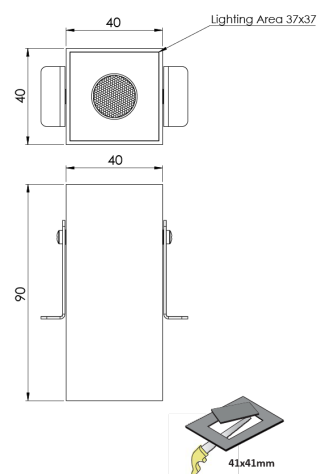
Light Source	HP LED
Color Temperature	2700-3000-4000-5000-6500K
Color Rendering Index	CRI>80
Power	3,2 W
Power Factor	Pf>90
Luminaire Efficiency	80lm/W
Light Beam Angle	10°,25°,40°,60°
Lumen	256 lm
Operating Voltage	220-240V AC / 50-60 Hz
Light Source Lifetime	50.000 hours Led lifetime
Optic	High efficiency acrylic lens

Control Type	On/Off
Electrical Insulation Class	Class II

Optional Features

Sealing	IP20
Weight	0,15 Kg
Dimensions	90 x 40 mm

DIMENSIONS



Lumen value is given according to 3000K value.

Luminaire is F-marked and suitable for direct mounting on normally flammable surfaces.

All components are provided with 5 year limited guarantee. A qualified electrician must ensure proper installation of the product.