

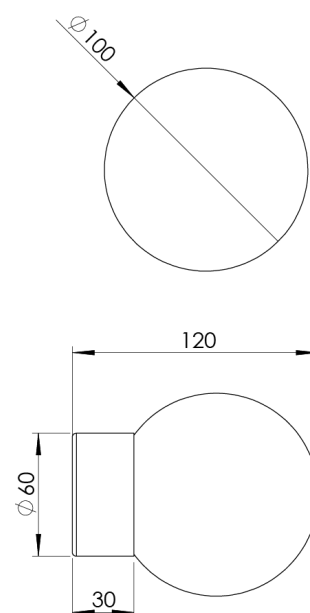
| | |
|-----------------------|--|
| Product Family | Nerisca |
| Adjustability | Fixed |
| Color | White- Black- Gray- RAL |
| Mounting Type | Surface Mounted |
| Body | Electrostatic powder coated metal body |

| | |
|------------------------------|---------------------------|
| Light Source | G9 LED LAMP |
| Color Temperature | 3000K |
| Color Rendering Index | |
| Power | 1,7 W |
| Power Factor | Pf>90 |
| Luminaire Efficiency | 153lm/W |
| Light Beam Angle | |
| Lumen | 260 lm |
| Operating Voltage | 220-240V AC / 50-60 Hz |
| Light Source Lifetime | 50.000 hours Led lifetime |
| Optic | Opal color glass |

| | |
|------------------------------------|-------------|
| Control Type | On/Off |
| Electrical Insulation Class | Class I |
| Optional Features | Unavailable |

| | |
|-------------------|-------------|
| Sealing | IP20 |
| Weight | 0,25 Kg |
| Dimensions | Ø100x120 mm |

DIMENSIONS



Lumen value is given according to 3000K value.

Luminaire is F-marked and suitable for direct mounting on normally flammable surfaces.

All components are provided with 5 year limited guarantee. A qualified electrician must ensure proper installation of the product.